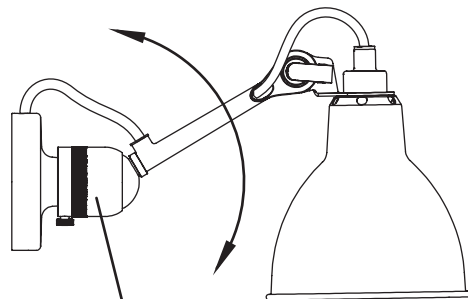
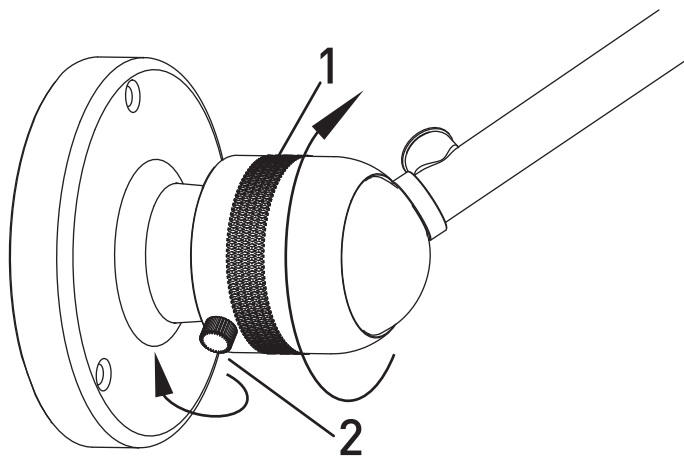


LAMPE GRAS

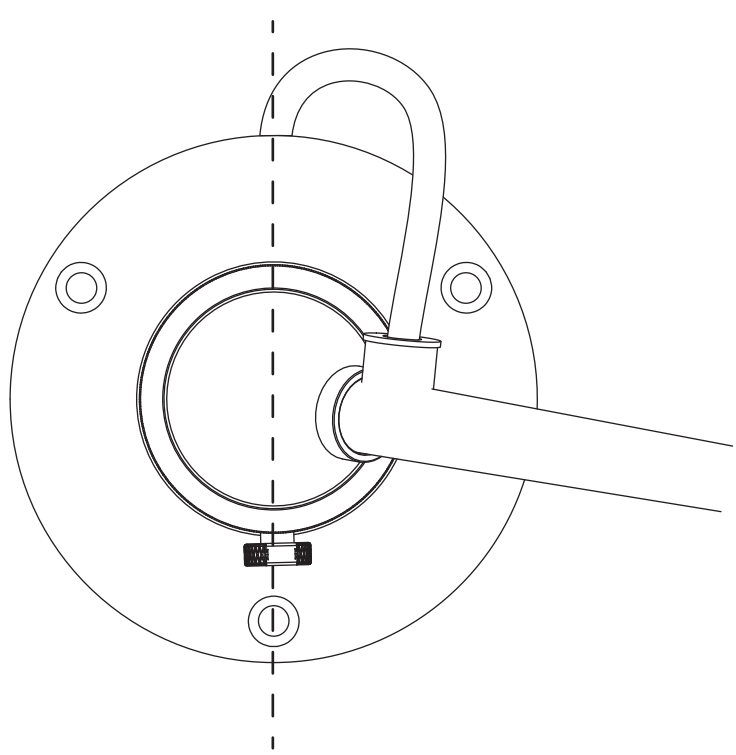
N°304



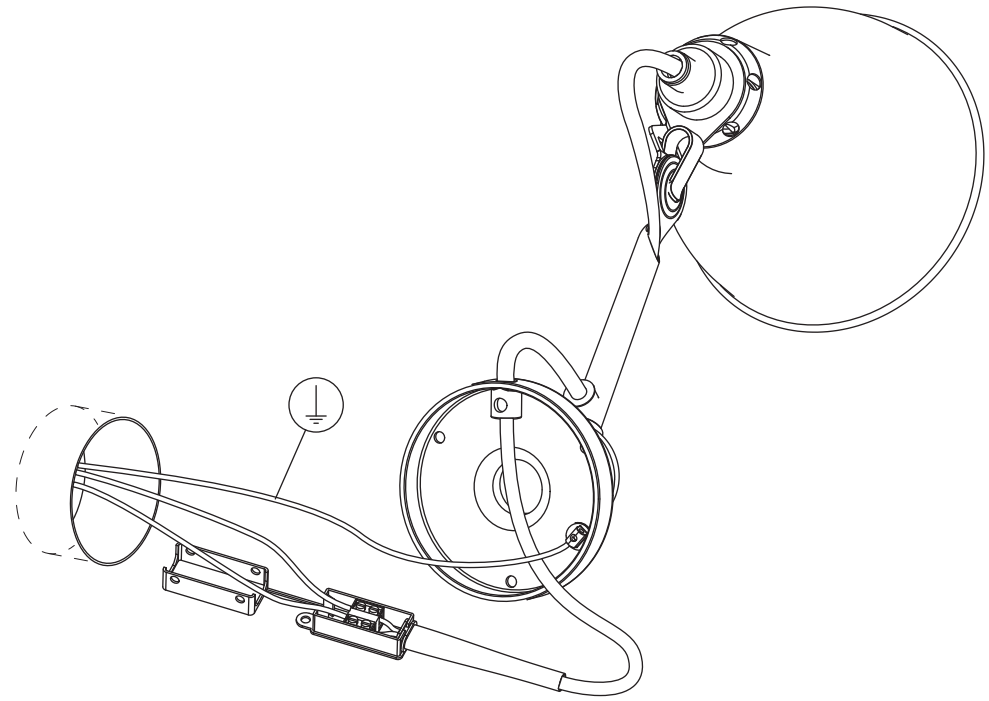
(1) To harden the arm motion, rotate the locking ring clockwise, (2) then block with the screw



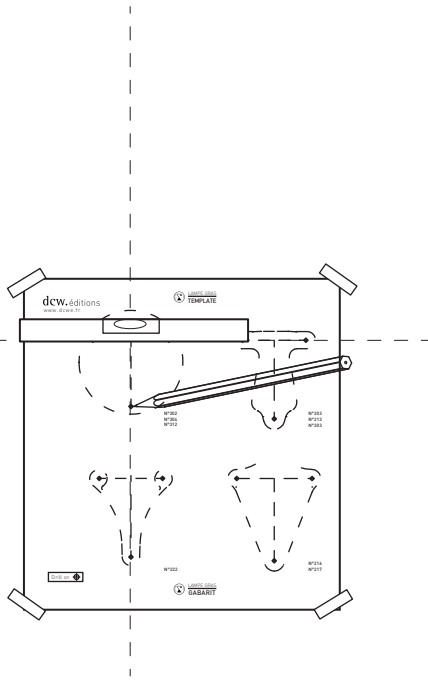
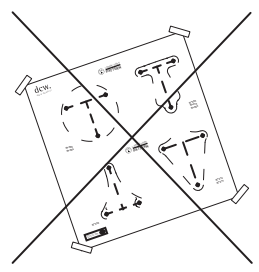
1



3



2



4

